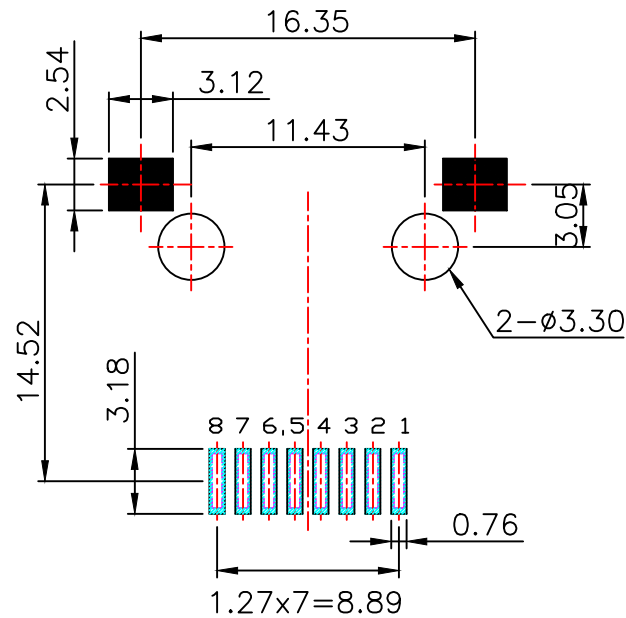
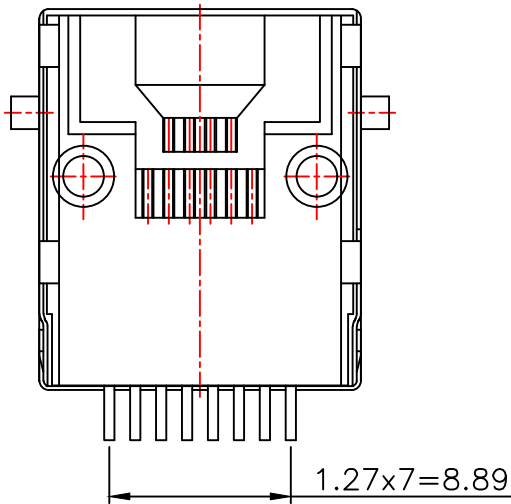
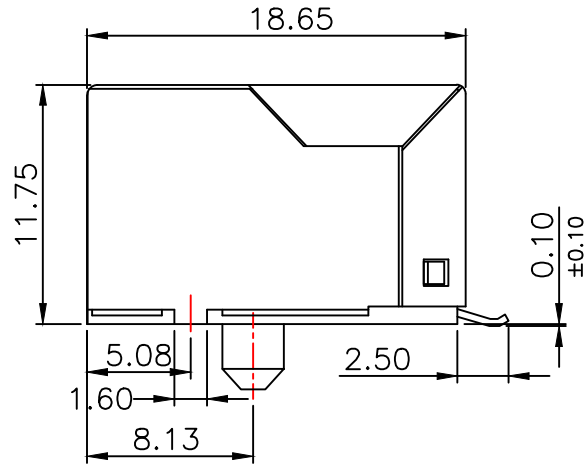
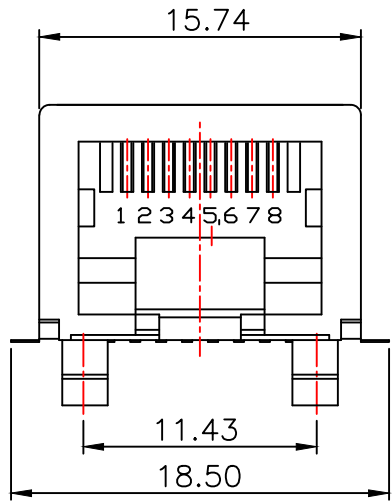


# Mechanical:

REV.	ECN NO.	DESCRIPTION	DATE	APPD
A	REL		2019/06/21	



PCB LAYOUT/TOP VIEW

## NOTES:

### Electrical:

1. Voltage rating : 125 VAC RMS
2. Current Rating : 1.5 AMP
3. Contact resistance : 50 mΩ Max
4. Insulation resistance : 500 MΩ Min @500V DC
5. Dielectric strength : 1000 VAC RMS 60Hz, 1MIN.

### MECHANICAL:

1. Plastic Housing : High Temp. Thermoplastic, PA9T  
Flammability Rating UL 94V-0.
2. Contacts : Phospor bronze  
Plating : Gold Plating Over Nickel In Contact.  
Tin Plating Over Nickel In Solder Area.
3. Shield : Brass Plating Nyckel Alloy.
4. Operating Life : 750 Cycles Min.

### ENVIRONMENTAL:

1. Storage : -40°C ~ +85°C
2. Operation : -40°C ~ +85°C.
3. Wave solder temperature : 265°C 5 Sec MAX
4. UL certification: File Number E484635.



X:X	±0.38	APPD:	LINK-PP INT'L TECHNOLOGY CO., LIMITED	
X:XX	±0.25	CHKD:	TITLE: RJ45 1*1 Connector	
X:XXX	±0.10	DR: James	PART NO.: LPJE8802DNL-1	
ANGLES	±1°	UNIT: mm		
	SCALE: 2/1	SHEET: 1/1	REV: A	DWG NO.: LP19062101